

Floor Elements
地面组件

Base Plate
型材底座

To support strut profile mounted on the floor or between the platforms. Expansion bolts chocked into the floor can offer a high stability.

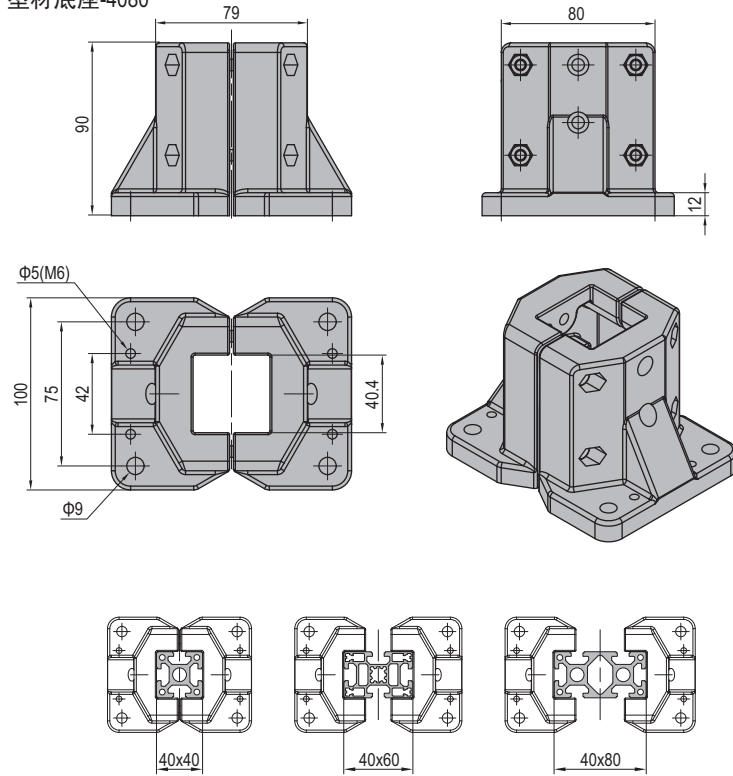
型材底座用于型材与地面或平台之间的支撑，可用膨胀螺栓置入地下达到固定作用。

Material and Color: aluminum, spray coating, silver

材质：铝合金 表面处理：喷涂 颜色：银色



Base Plate-4080
型材底座-4080



Description 产品描述	Fastening Set 紧固组件	Mass 重量(g)	Part No. 订购编号
Base Plate-4080 (set) 型材底座-4080 (成套供货)	4xDT	975	5.12.40.ST

DT	Fastening Set
	M6x20 Bolt zinc plated
	M6 Spring Washer zinc plated
	M6 Pre-set Nut nickel plated

