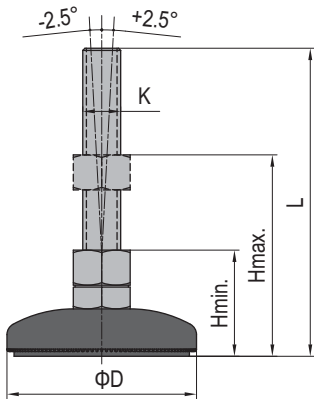
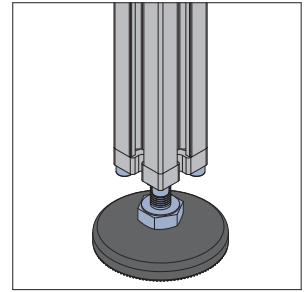


Floor Elements
地面组件
Leveling Foot-Pivot Foot
支脚-尼龙微调

To support structure where gradual height adjustment is needed, the pivot foot has a small swiveling angle to fit slightly uneven floor. The connection between the pivot base and the spindle can be released with a tool.
 尼龙微调支脚用来支撑高度需要微调的框架结构，调节角度较小，适用于相对较平整的地面，此支脚的牙杆和底盘可用工具拆分。

Material and Color: Base-black PA6 Spindle-zinc plated steel Pad-black rubber
 材质和颜色：底盘-增强尼龙6 黑色 牙杆-碳钢镀锌 胶垫-橡胶 黑色

Pivot Foot
尼龙微调支脚


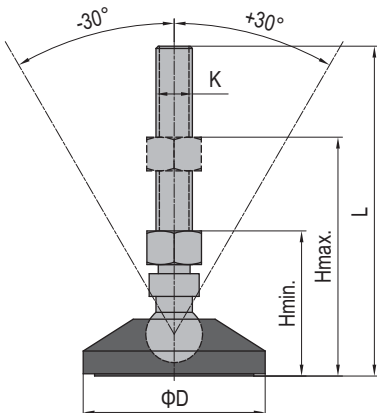
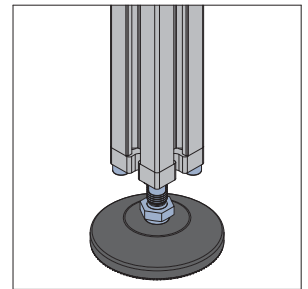
Description 产品描述	D (mm)	KxL (mm)	H min. (mm)	H max. (mm)	Max. Static Load 最大静态载荷 (N)	Mass 重量 (g)	Part No. 订购编号
Pivot Foot-PA 6 Base 尼龙微调支脚 -增强尼龙6底盘	59	M12x90	45	70	10000	152	5.21.60.12.90
	79	M12x90	45	70	10000	188	5.21.80.12.90
	79	M12x130	45	100	10000	218	5.21.80.12.130
	79	M16x130	45	100	10000	328	5.21.80.16.130
	99	M12x130	45	100	10000	326	5.21.100.12.130
	99	M16x130	45	100	10000	436	5.21.100.16.130

Leveling Foot-Swivel Foot
支脚-球头

To support structure where gradual height adjustment is needed, the swivel foot has a ball joint between the base and spindle, thus allowing the foot to swivel to an angle of up to 30. When using the foot on installations that need to be moved regularly.

球头支脚用来支撑需要调整高度的框架结构，底盘和牙杆间有球头连接，因此牙杆旋转角度可达30度，适用于需要频繁移动的组件。

Material and Color: Base-black PA6 Spindle-zinc plated steel Pad-black rubber
 材质和颜色：底盘-增强尼龙6 黑色 牙杆-碳钢镀锌 胶垫-橡胶 黑色

Swivel Foot
球头支脚


Description 产品描述	D (mm)	KxL (mm)	H min. (mm)	H max. (mm)	Max. Static Load 最大静态载荷 (N)	Mass 重量 (g)	Part No. 订购编号
Swivel Foot-PA 6 Base 球头支脚 -增强尼龙6底盘	59	M12x90	45	70	10000	162	5.22.60.12.90
	79	M12x90	45	70	10000	198	5.22.80.12.90
	79	M12x130	45	100	10000	228	5.22.80.12.130
	79	M16x130	45	100	10000	338	5.22.80.16.130
	99	M12x130	45	100	10000	336	5.22.100.12.130
	99	M16x130	45	100	10000	446	5.22.100.16.130