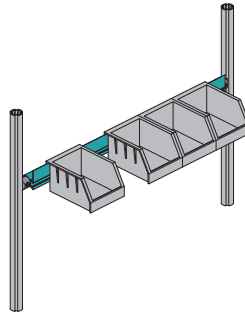
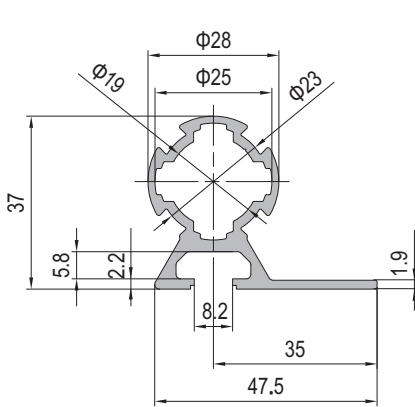


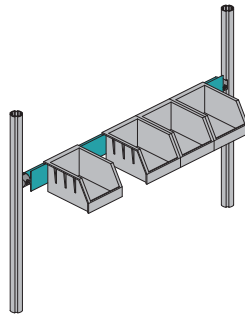
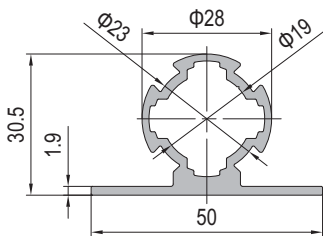
SW Profile Tube D28
导管型材 D28 单翼



SW Profile Tube D28 is mainly used for suspending material box which can only be connected by inner connector.
主要用于悬挂物料盒，只能用内涨件连接。

Description 产品描述	Moment of Inertia 惯性矩 $I_x(\text{cm}^4)$	Moment of Inertia 惯性矩 $I_y(\text{cm}^4)$	Moment of Resistance 弯矩 $W_x(\text{cm}^3)$	Moment of Resistance 弯矩 $W_y(\text{cm}^3)$	Mass 重量 (kg/m)	Part No. 订购编号
SW Profile Tube D28 导管型材 D28单翼	5.7	2.95	3.1	1.24	0.86	TFS.D28.1.SW

DW Profile Tube D28
导管型材 D28 双翼



SW Profile Tube D28 is mainly used for suspending material box which can only be connected by inner connector.
主要用于悬挂物料盒，只能用内涨件连接。

Description 产品描述	Moment of Inertia 惯性矩 $I_x(\text{cm}^4)$	Moment of Inertia 惯性矩 $I_y(\text{cm}^4)$	Moment of Resistance 弯矩 $W_x(\text{cm}^3)$	Moment of Resistance 弯矩 $W_y(\text{cm}^3)$	Mass 重量 (kg/m)	Part No. 订购编号
DW Profile Tube D28 导管型材 D28双翼	3.35	2.95	1.2	1.18	0.79	TFS.D28.1.DW