

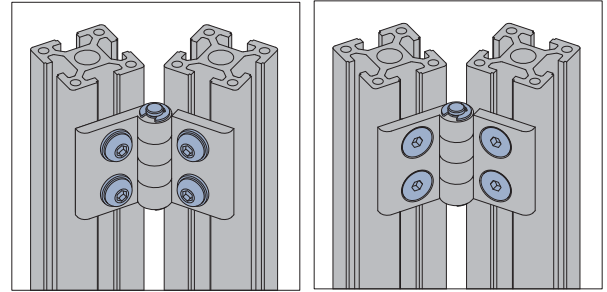
Door and Window Elements
门窗组件

Hinge

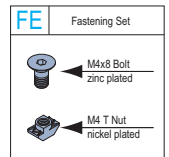
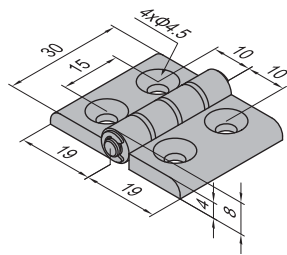
合页

Material and Color: aluminum, nature anodized

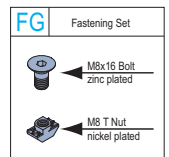
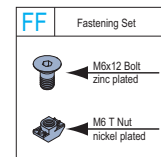
材质和颜色: 铝合金 光亮氧化



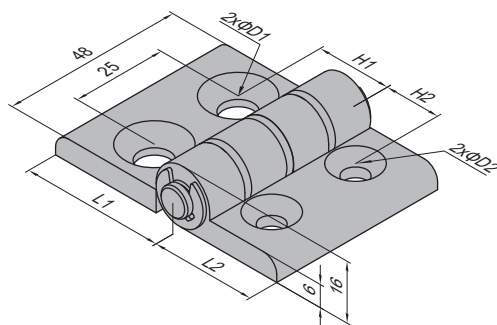
Hinge-Aluminum Countersink Hole
合页-铝合金-沉孔



Description 产品描述	H1 (mm)	H2 (mm)	L1 (mm)	L2 (mm)	D1 (mm)	D2 (mm)	Fastening Set 紧固组件	Mass 重量 (g)	Part No. 订购编号
20/20 (pcs)/单个供货								15	7.22.20.20
20/20 (set)/成套供货							4xFE	25	7.22.20.20.ST



Hinge-Aluminum Countersink Hole
合页-铝合金-沉孔



Description 产品描述	H1 (mm)	H2 (mm)	L1 (mm)	L2 (mm)	D1 (mm)	D2 (mm)	Fastening Set 紧固组件	Mass 重量 (g)	Part No. 订购编号
30/30 (pcs)/单个供货	15	15	28	28	6.5	6.5		69	7.22.30.30
30/30 (set)/成套供货	15	15	28	28	6.5	6.5	4xFF	97	7.22.30.30.ST
30/40 (pcs)/单个供货	20	15	38	28	8.5	6.5		74	7.22.30.40
30/40 (set)/成套供货	20	15	38	28	8.5	6.5	2xFF+2xFG	122	7.22.30.40.ST
30/45 (pcs)/单个供货	22.5	15	38	28	8.5	6.5		74	7.22.30.45
30/45 (set)/成套供货	22.5	15	38	28	8.5	6.5	2xFF+2xFG	122	7.22.30.45.ST
40/40 (pcs)/单个供货	20	20	38	38	8.5	8.5		81	7.22.40.40
40/40 (set)/成套供货	20	20	38	38	8.5	8.5	4xFG	149	7.22.40.40.ST
40/45 (pcs)/单个供货	22.5	20	38	38	8.5	8.5		81	7.22.40.45
40/45 (set)/成套供货	22.5	20	38	38	8.5	8.5	4xFG	149	7.22.40.45.ST
45/45 (pcs)/单个供货	22.5	22.5	38	38	8.5	8.5		81	7.22.45.45
45/45 (set)/成套供货	22.5	22.5	38	38	8.5	8.5	4xFG	149	7.22.45.45.ST