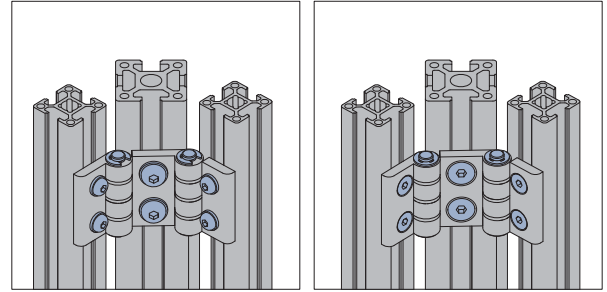


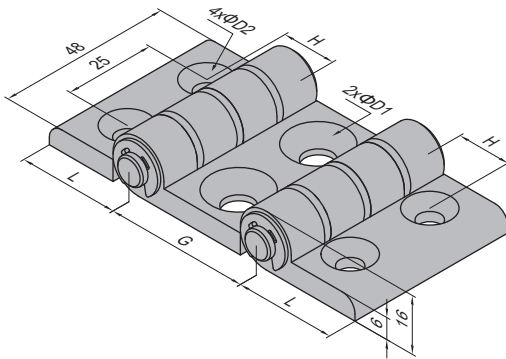
Door and Window Elements  
门窗组件

Hinge  
合页

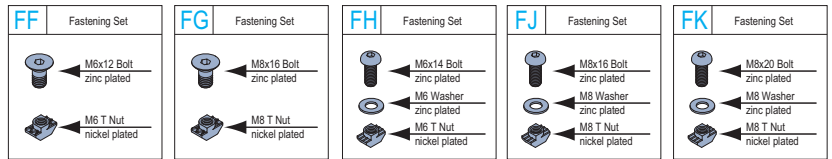
Material and Color: aluminum, nature anodized  
材质和颜色: 铝合金 光亮氧化



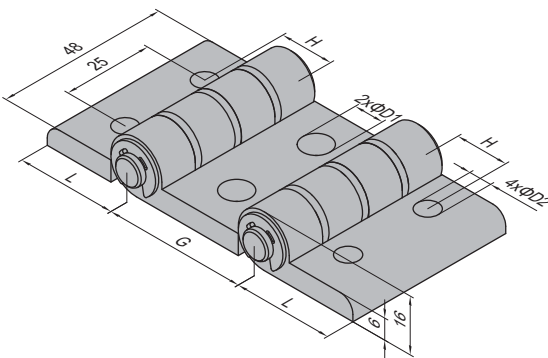
Hinge-Aluminum Countersink Hole  
合页-铝合金-沉孔



Description 产品描述	G (mm)	H (mm)	L (mm)	D1 (mm)	D2 (mm)	Fastening Set 紧固组件	Mass 重量 (g)	Part No. 订购编号
30/30/30 (pcs)/单个供货	30	15	28	6.5	6.5		98	7.24.30.30.30
30/30/30 (set)/成套供货	30	15	28	6.5	6.5	6xFF	140	7.24.30.30.30.ST
30/40/30 (pcs)/单个供货	40	15	28	8.5	6.5		104	7.24.30.40.30
30/40/30 (set)/成套供货	40	15	28	8.5	6.5	4xFF+2xFG	166	7.24.30.40.30.ST
30/45/30 (pcs)/单个供货	45	15	28	8.5	6.5		108	7.24.30.45.30
30/45/30 (set)/成套供货	45	15	28	8.5	6.5	4xFF+2xFG	170	7.24.30.45.30.ST
40/40/40 (pcs)/单个供货	40	20	38	8.5	8.5		115	7.24.40.40.40
40/40/40 (set)/成套供货	40	20	38	8.5	8.5	6xFG	217	7.24.40.40.40.ST
40/45/40 (pcs)/单个供货	45	20	38	8.5	8.5		119	7.24.40.45.40
40/45/40 (set)/成套供货	45	20	38	8.5	8.5	6xFG	221	7.24.40.45.40.ST
45/45/45 (pcs)/单个供货	45	22.5	38	8.5	8.5		119	7.24.45.45.45
45/45/45 (set)/成套供货	45	22.5	38	8.5	8.5	6xFG	221	7.24.45.45.45.ST



Hinge-Aluminum Through Hole  
合页-铝合金-圆孔



Description 产品描述	G (mm)	H (mm)	L (mm)	D1 (mm)	D2 (mm)	Fastening Set 紧固组件	Mass 重量 (g)	Part No. 订购编号
30/30/30 (pcs)/单个供货	30	15	28	6.5	6.5		100	7.25.30.30.30
30/30/30 (set)/成套供货	30	15	28	6.5	6.5	6xFH	142	7.25.30.30.30.ST
30/40/30 (pcs)/单个供货	40	15	28	8.5	6.5		107	7.25.30.40.30
30/40/30 (set)/成套供货	40	15	28	8.5	6.5	4xFH+2xFJ	169	7.25.30.40.30.ST
30/45/30 (pcs)/单个供货	45	15	28	8.5	6.5		111	7.25.30.45.30
30/45/30 (set)/成套供货	45	15	28	8.5	6.5	4xFH+2xFK	175	7.25.30.45.30.ST
40/40/40 (pcs)/单个供货	40	20	38	8.5	8.5		121	7.25.40.40.40
40/40/40 (set)/成套供货	40	20	38	8.5	8.5	6xFJ	213	7.25.40.40.40.ST
40/45/40 (pcs)/单个供货	45	20	38	8.5	8.5		125	7.25.40.45.40
40/45/40 (set)/成套供货	45	20	38	8.5	8.5	4xFJ+2xFK	230	7.25.40.45.40.ST
45/45/45 (pcs)/单个供货	45	22.5	38	8.5	8.5		125	7.25.45.45.45
45/45/45 (set)/成套供货	45	22.5	38	8.5	8.5	6xFK	245	7.25.45.45.45.ST