

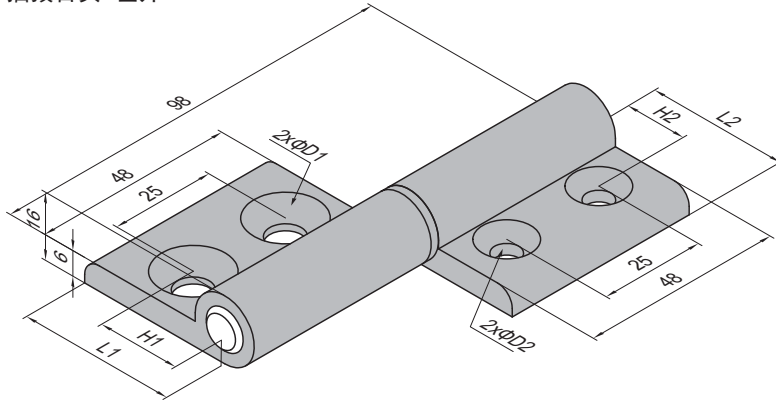
Door and Window Elements
门窗组件

Hinge
合页
Material and Color: aluminum, nature anodized
材质和颜色: 铝合金 光亮氧化

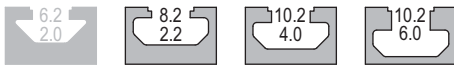
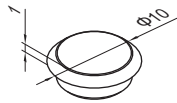
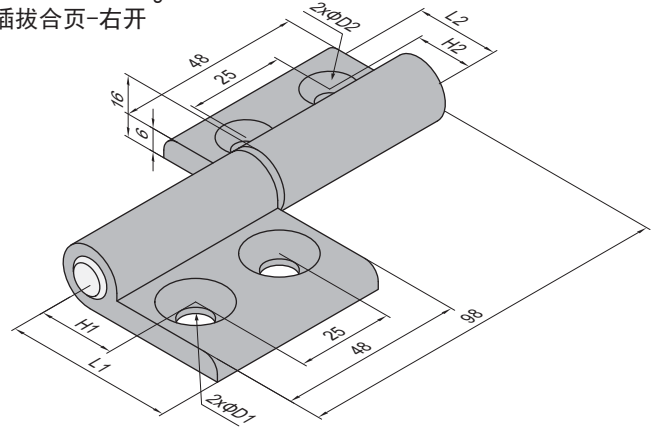
AI Removable Hinge
合页-插拔合页







AI Removable Hinge-L
插拔合页-左开



AI Removable Hinge-R
插拔合页-右开



| FF | Fastening Set | FG | Fastening Set |
|---|---------------------------|---|---------------------------|
|  | M6x12 Bolt zinc plated |  | M8x16 Bolt zinc plated |
|  | M6 T Nut nickel plated |  | M8 T Nut nickel plated |

| Description 产品描述 | H1 (mm) | H2 (mm) | L1 (mm) | L2 (mm) | D1 (mm) | D2 (mm) | Fastening Set 紧固组件 | Mass 重量 (g) | Part No.(L) 订购编号(左开) | Part No.(R) 订购编号(右开) |
|---------------------|------------|------------|------------|------------|------------|------------|-----------------------|-------------------|-------------------------|-------------------------|
| 30/30 (pcs)/单个供货 | 15 | 15 | 28 | 28 | 6.5 | 6.5 | | 105 | 7.26.30.30 | 7.27.30.30 |
| 30/30 (set)/成套供货 | 15 | 15 | 28 | 28 | 6.5 | 6.5 | 4xFF | 133 | 7.26.30.30.ST | 7.27.30.30.ST |
| 30/40 (pcs)/单个供货 | 20 | 15 | 38 | 28 | 8.5 | 6.5 | | 110 | 7.26.30.40 | 7.27.30.40 |
| 30/40 (set)/成套供货 | 20 | 15 | 38 | 28 | 8.5 | 6.5 | 2xFF+2xFG | 158 | 7.26.30.40.ST | 7.27.30.40.ST |
| 30/45 (pcs)/单个供货 | 22.5 | 15 | 38 | 28 | 8.5 | 6.5 | | 110 | 7.26.30.45 | 7.27.30.45 |
| 30/45 (set)/成套供货 | 22.5 | 15 | 38 | 28 | 8.5 | 6.5 | 2xFF+2xFG | 158 | 7.26.30.45.ST | 7.27.30.45.ST |
| 40/40 (pcs)/单个供货 | 20 | 20 | 38 | 38 | 8.5 | 8.5 | | 118 | 7.26.40.40 | 7.27.40.40 |
| 40/40 (set)/成套供货 | 20 | 20 | 38 | 38 | 8.5 | 8.5 | 4xFG | 186 | 7.26.40.40.ST | 7.27.40.40.ST |
| 40/45 (pcs)/单个供货 | 22.5 | 20 | 38 | 38 | 8.5 | 8.5 | | 118 | 7.26.40.45 | 7.27.40.45 |
| 40/45 (set)/成套供货 | 22.5 | 20 | 38 | 38 | 8.5 | 8.5 | 4xFG | 186 | 7.26.40.45.ST | 7.27.40.45.ST |
| 45/45 (pcs)/单个供货 | 22.5 | 22.5 | 38 | 38 | 8.5 | 8.5 | | 118 | 7.26.45.45 | 7.27.45.45 |
| 45/45 (set)/成套供货 | 22.5 | 22.5 | 38 | 38 | 8.5 | 8.5 | 4xFG | 186 | 7.26.45.45.ST | 7.27.45.45.ST |