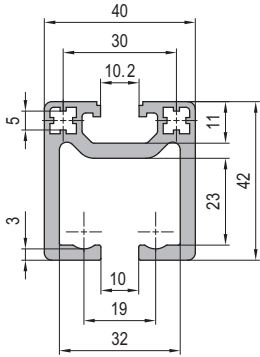
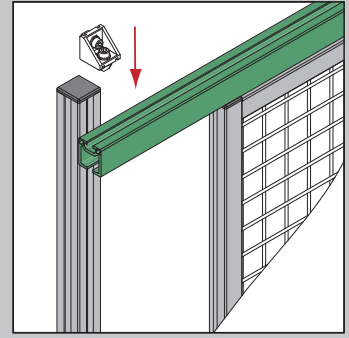




Profile Rail
滑道型材

Material: 6063-T5
材质: 6063-T5

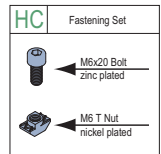
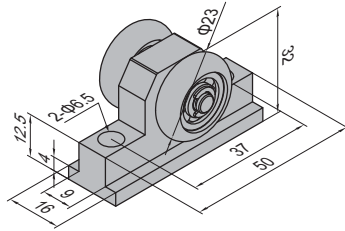
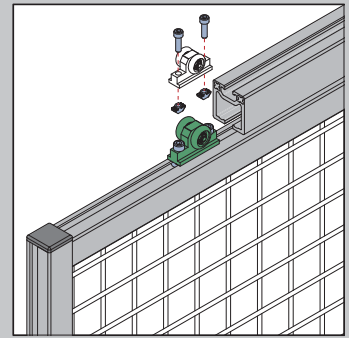


Description 描述	Moment of Inertia 惯性矩 $I_x(\text{cm}^4)$	Moment of Inertia 惯性矩 $I_y(\text{cm}^4)$	Moment of Resistance 弯矩 $W_x(\text{cm}^3)$	Moment of Resistance 弯矩 $W_y(\text{cm}^3)$	Mass 重量(kg/m)	Part No. 订购编号
Profile Rail 滑道型材	12.7	10.6	6.4	5.1	1.6	1.42.40.4040.01



Pulley Block for Sliding Door
推拉门滑轮组

Material: aluminum alloy
材质: 铝合金



Description 描述	Fastening Set 紧固组件	Mass 重量(g)	Part No. 订购编号
Pulley Block for Sliding Door-PG30 推拉门滑轮组-30系列	2xHC	64	PBDS30.PB
Pulley Block for Sliding Door-PG40 推拉门滑轮组-40系列	2xHC	70	PBDS40.PB

