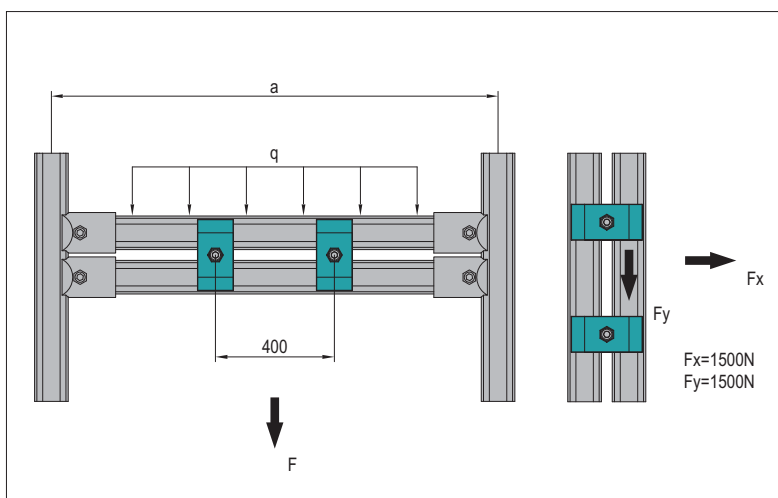
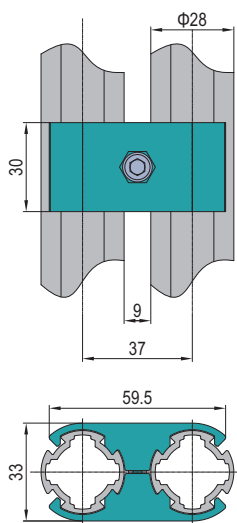
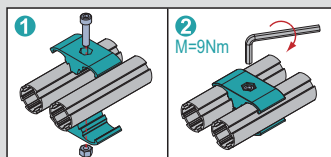
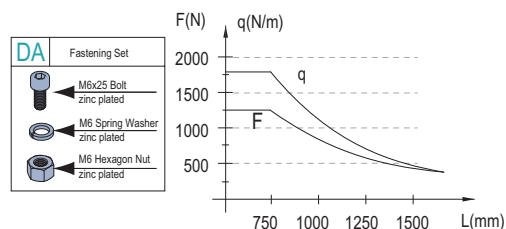


Parallel Adapter D28
双卡环 D28

Material: Diecast Aluminum
材质: 压铸铝合金



Description 产品描述	Fastening Set 紧固组件	Mass (g) 重量	Part No. 订购编号
Parallel Adapter D28 双卡环 D28	1XDA	67.5	TFS.D28.2.03.05



⚠ Load capacity increased by 150%.
负载能力提高150%

