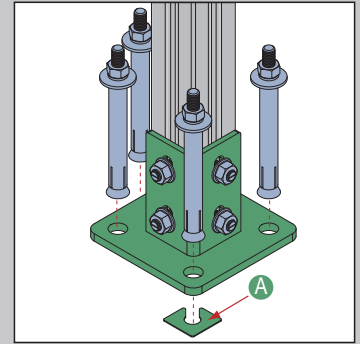




**Base Plate**  
隔断支脚



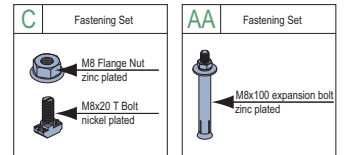
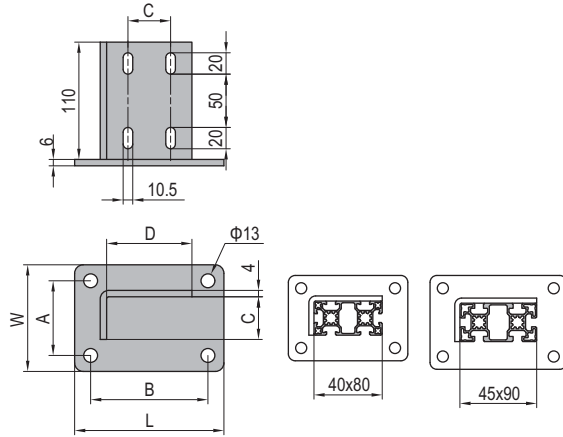
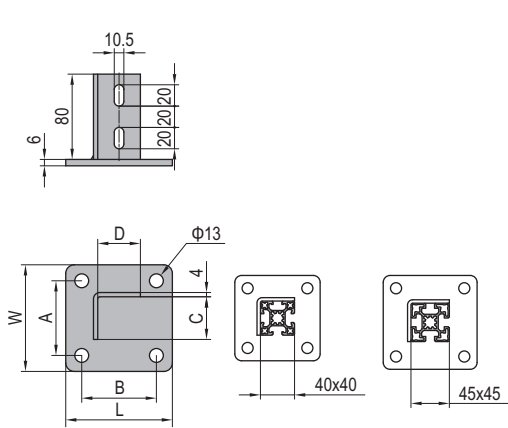
To support strut profile mounted between sections of machine guard system, Expansion bolts chocked into floor can offer very high stability.  
隔断支脚用于防护单元之间型材的底部支撑, 使用膨胀螺栓置于地下更能提高稳定性。  
Material and Color: carbon steel, black electrophoresis  
材质: 碳钢 表面处理: 黑色电泳



Base Plate 40x40/45x45  
隔断支脚 40x40/45x45

Base Plate 40x80/45x90  
隔断支脚 40x80/45x90

**A** Base Plate Gasket  
隔断支脚垫片  
To adjust the degree of vertical profile and uneven ground.  
隔断支脚垫片用于地面不平, 调整型材与地面垂直度。



Description 描述	L (mm)	W (mm)	A (mm)	B (mm)	C (mm)	D (mm)	Fastening Set 紧固组件	Mass 重量(g)	Part No. 订购编号
Base Plate-4040 (pcs) 隔断支脚-4040 (单个供货)	100	100	70	70	40	40		629	5.13.4040
Base Plate-4040 (set) 隔断支脚-4040 (成套供货)							4x <b>C</b> +4x <b>AA</b>	1037	5.13.4040.ST
Base Plate-4545 (pcs) 隔断支脚-4545 (单个供货)	110	110	80	80	45	45		1022	5.13.4545
Base Plate-4545 (set) 隔断支脚-4545 (成套供货)							4x <b>C</b> +4x <b>AA</b>	1474	5.13.4545.ST
Base Plate-4080 (pcs) 隔断支脚-4080 (单个供货)	140	100	70	110	40	80		753	5.13.4080
Base Plate-4080 (set) 隔断支脚-4080 (成套供货)							6x <b>C</b> +4x <b>AA</b>	1161	5.13.4080.ST
Base Plate-4590 (pcs) 隔断支脚-4590 (单个供货)	160	110	80	130	45	90		1243	5.13.4590
Base Plate-4590 (set) 隔断支脚-4590 (成套供货)							6x <b>C</b> +4x <b>AA</b>	1685	5.13.4590.ST

