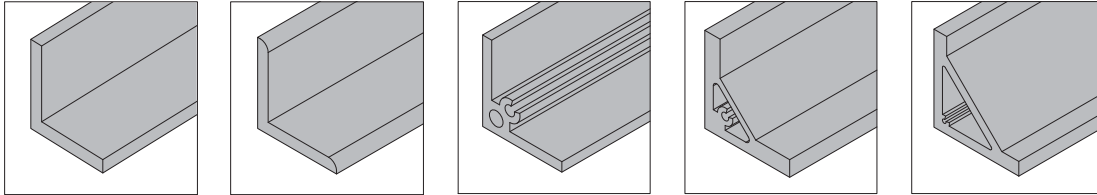


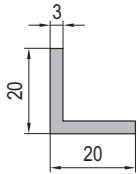
Angle Profile
角铝型材



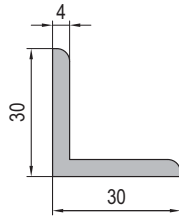
Angle Profile 20x20x3 角铝型材 20x20x3 Angle Profile 30x30x4 角铝型材 30x30x4 Angle Profile 35x35x4 角铝型材 35x35x4 Angle Profile 50x50x9 角铝型材 50x50x9 Angle Profile 100x100x15 角铝型材 100x100x15

Angle profile is mainly used for producing angle bracket which has a wide range of applications due to its good flexibility. Surface of all the angle profile uses a variety of treatment, such as natural anodized, black anodized, electrophoretic paint etc. 角铝型材主要用于制作挤压角铝连接件，由于其良好的灵活性而应用广泛，成品表面可采用多种处理方式，本色阳极氧化，黑色阳极氧化，电泳漆等。

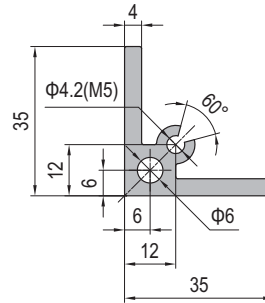
Angle Profile 20x20x3
角铝型材 20x20x3



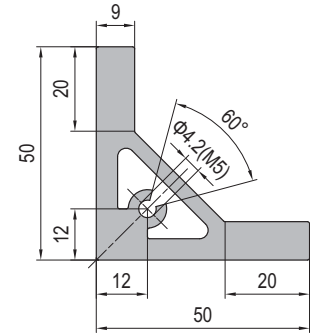
Angle Profile 30x30x4
角铝型材 30x30x4



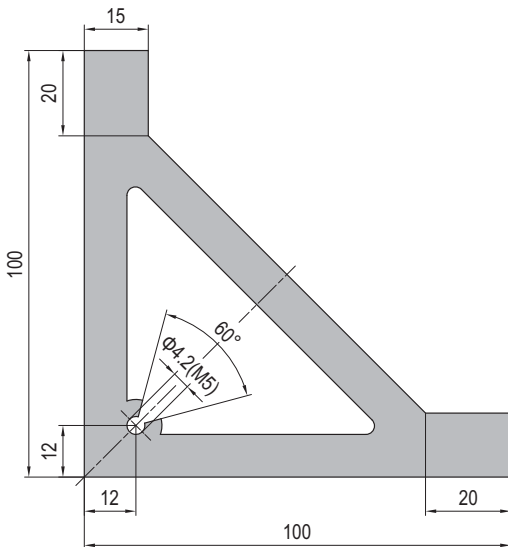
Angle Profile 35x35x4
角铝型材 35x35x4



Angle Profile 50x50x9
角铝型材 50x50x9



Angle Profile 100x100x15
角铝型材 100x100x15



Description 产品描述	Mass 重量 (kg/m)	Part No. 订购编号
Angle Profile 20x20x3 角铝型材 20x20x3	0.3	1.31.2020.03
Angle Profile 30x30x4 角铝型材 30x30x4	0.6	1.31.3030.04
Angle Profile 35x35x4 角铝型材 35x35x4	0.9	1.31.3535.04
Angle Profile 50x50x9 角铝型材 50x50x9	2.3	1.31.5050.09
Angle Profile 100x100x15 角铝型材 100x100x15	8.5	1.31.100100.15

Note: The maximum delivery length of angle profile 100x100x15 is 4000mm, the others are all 5800mm.
备注：角铝型材100x100x15的最大供货长度为4000mm，其余均为5800mm。