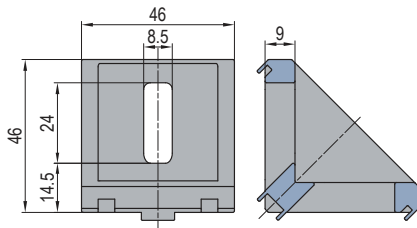


Connecting Elements  
连接件

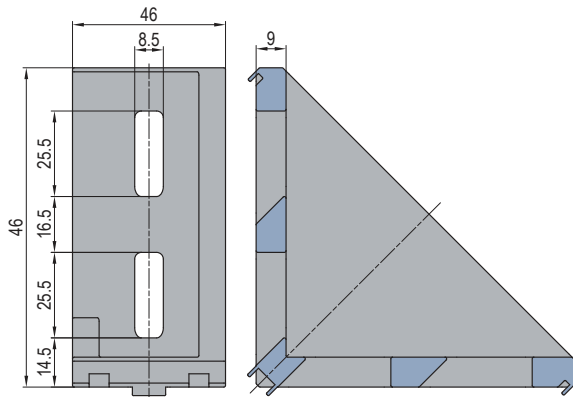
Die Cast Bracket  
压铸角铝  
Material: diecast aluminum  
材质: 压铸铝合金



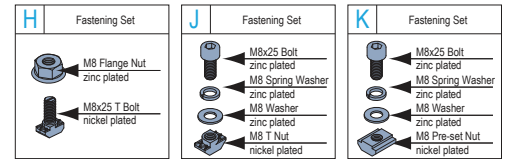
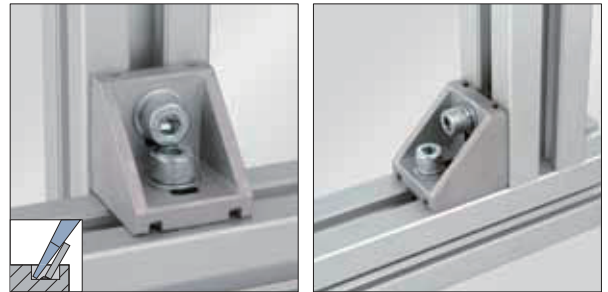
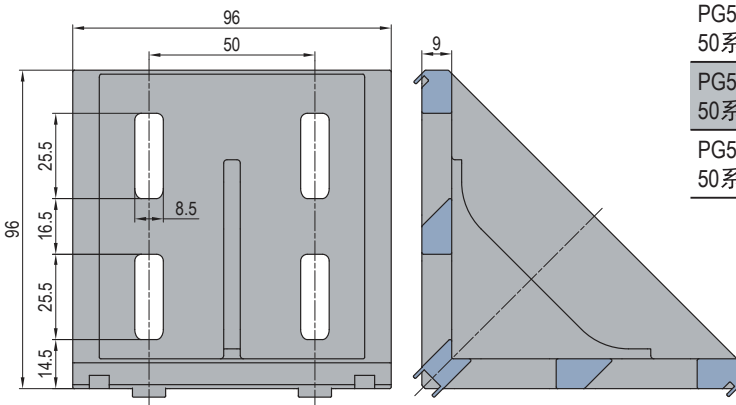
PG50-50x50  
50系列-50x50



PG50-50x100  
50系列-50x100



PG50-100x100  
50系列-100x100



Description 产品描述	Fastening Set 紧固组件	Mass 重量 (g)	Part No. 订购编号
PG50-50x50 (pcs) 50系列-50x50 (单个供货)		86	3.21.50.5050
PG50-50x50 (set H) 50系列-50x50 (成套供货H)	2xH	132	3.21.50.5050.STH
PG50-50x50 (set J) 50系列-50x50 (成套供货J)	2xJ	135	3.21.50.5050.STJ
PG50-50x50 (set K) 50系列-50x50 (成套供货K)	2xK	152	3.21.50.5050.STK
PG50-50x100 (pcs) 50系列-50x100 (单个供货)		235	3.21.50.50100
PG50-50x100 (set H) 50系列-50x100 (成套供货H)	4xH	327	3.21.50.50100.STH
PG50-50x100 (set J) 50系列-50x100 (成套供货J)	4xJ	333	3.21.50.50100.STJ
PG50-50x100 (set K) 50系列-50x100 (成套供货K)	4xK	365	3.21.50.50100.STK
PG50-100x100 (pcs) 50系列-100x100 (单个供货)		484	3.21.50.100100
PG50-100x100 (set H) 50系列-100x100 (成套供货H)	8xH	668	3.21.50.100100.STH
PG50-100x100 (set J) 50系列-100x100 (成套供货J)	8xJ	680	3.21.50.100100.STJ
PG50-100x100 (set K) 50系列-100x100 (成套供货K)	8xK	744	3.21.50.100100.STK