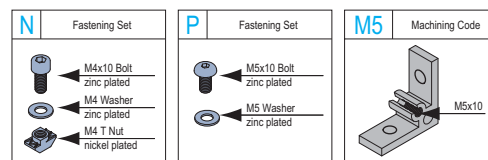


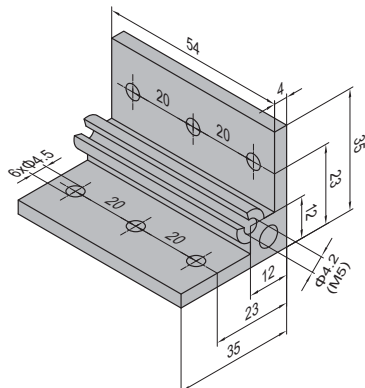
Connecting Elements
连接件

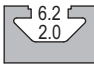
Angle Profile Bracket
挤压角铝

Material: aluminium, anodized (cutting end not anodized)
材质: 铝合金, 表面阳极氧化 (切面无处理)

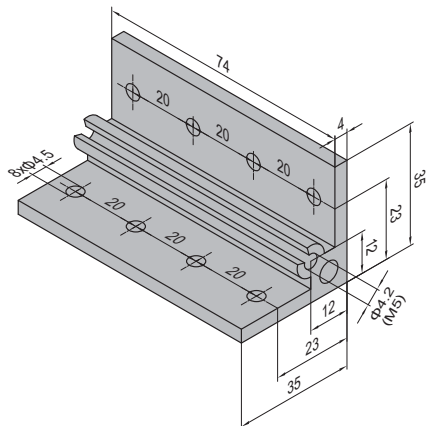



35x35x4



Application 应用	Description 产品描述	Fastening Set 紧固组件	Machining Code 加工代码	Mass 重量 (g)	Part No. 订购编号
PG20 60mm 	35-20-60 (pcs/单个供货)			47	3.31.35.20.60
	35-20-60 (set/成套供货)	6xN		77	3.31.35.20.60.ST
	35-20-60 (M5/加工供货)		M5	47	3.31.35.20.60.M5
	35-20-60 (M5 set/成套加工供货)	6xN+1xP	M5	79	3.31.35.20.60.M5.ST

35x35x4



Application 应用	Description 产品描述	Fastening Set 紧固组件	Machining Code 加工代码	Mass 重量 (g)	Part No. 订购编号
PG20 80mm 	35-20-80 (pcs/单个供货)			64	3.31.35.20.80
	35-20-80 (set/成套供货)	8xN		103	3.31.35.20.80.ST
	35-20-80 (M5/加工供货)		M5	64	3.31.35.20.80.M5
	35-20-80 (M5 set/成套加工供货)	8xN+1xP	M5	105	3.31.35.20.80.M5.ST